

**TP 9/8 RE F-900 Modular Switching Stations Of Temporary Supplying**

**Application**

Underground switching stations are used wherever you want to localize a power point that will be used temporarily (places for organizing public events onto plazas, sports facilities, squares, etc.)

The system closed in the ground under the cover will be protected and will not interfere with other objects.

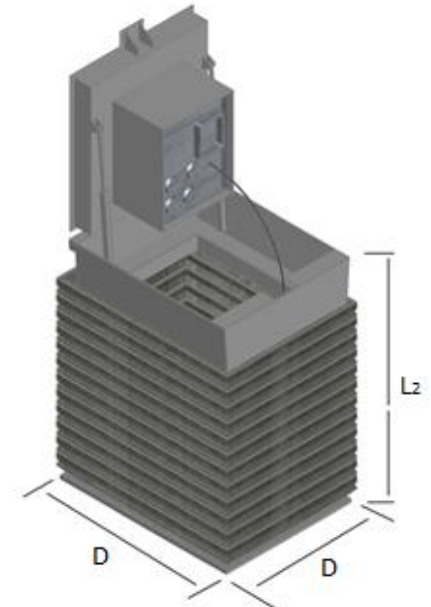
**System description**

- Modular chamber body made of Polipit polymer blend.  
(Polypit consists, inter alia, of: polyethylene, polypropylene, polycarbonate)
- Body strength to a pressure of 90 tonnes.
- Cover made of stainless steel supported with hydraulic cylinders, in class F-900
- Possibility of filling the cover with concrete or paving stones.
- Closing with non-freezing lock.
- Hermetic electrical switchboard equipped with a diving bell.
- **Electrical equipment is made according to specifications of ordering party.**

\* The switching station requires a drainage system to be installed.

**Advantages of TP temporary switching stations**

- Assembly of distribution cabinets.
- Assembly of drivers.
- Possibility of using in heavily loaded places.
- Elimination of the damages resulting from collisions.
- Reducing the negative impact of the atmosphere (rain, snow, low and high temperatures).
- Simple and fast installation thanks to the modular construction.
- The Polipit material is 100% resistant to frost, chemicals as well as aggressive media.
- 100% recycled, completely recyclable.



switchgear type	Dimensions external switchgear  [mm]	Dimensions diving bell  [mm]
F-900	D x D x L2	width x height x depth
<b>TP 9/8 RE</b>	<b>985 x 720 x 910</b>	<b>500 x 500 x 230</b>

