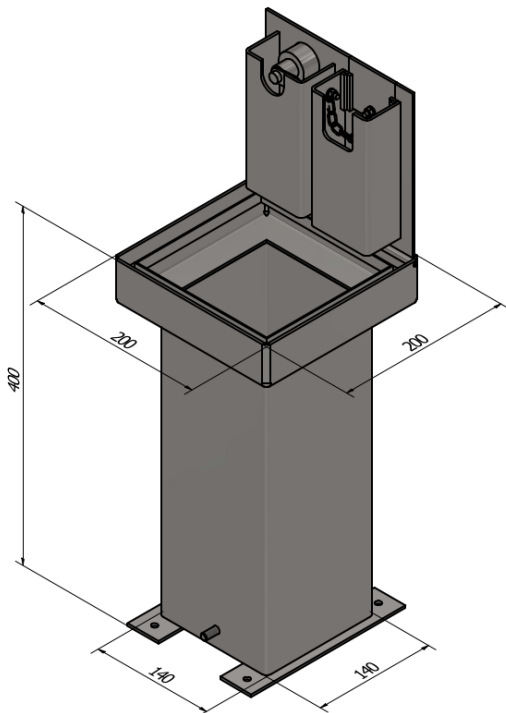


Underground Power Point

TP Mini 200 B-125

Application of the product

Underground power points are used wherever we want to locate a power point that will be used temporarily (markets, squares, sports facilities, squares and green areas, etc).



System description

- body made of stainless steel
- outer dimensions of the cover: 200x200x50mm
- bolt closure
- electrical equipment acc. to contracting authority's specification
- resistance to loads in class B-125

In order to achieve the declared load resistance, the structure should be reinforced by pouring concrete around the body with a wall thickness of not less than 5 cm. Loading of the structure is allowed only after the concrete mass has hardened. The body must be connected to the drainage system.



Advantages of underground power points:

- uniform structure (plinth with a cover)
- simple and quick assembly
- stainless steel, resistant to chemicals and aggressive agents
- small sizes

